

SE8502 Series

2-Port IP68 Waterproof Serial Server with M12 connectors, EN50155 and EN50121-4 Railway certified



FEATURED HIGHLIGHTS

- 10/100 Mbps Fast Ethernet full duplex auto negotiation
- Support multiple link mode with TCP server/client, UDP and Virtual COM mode
- Monitor, manage and control industrial field devices remotely
- Configuration: Built-in Web Server /Serial Console/ Telnet
- Windows-based utility for IP configuration
- Firmware upgrade remotely via Ethernet
- Rigid aluminum case design compliant with IP68 standard
- Wide operating temperature range : -40°C ~ 75°C

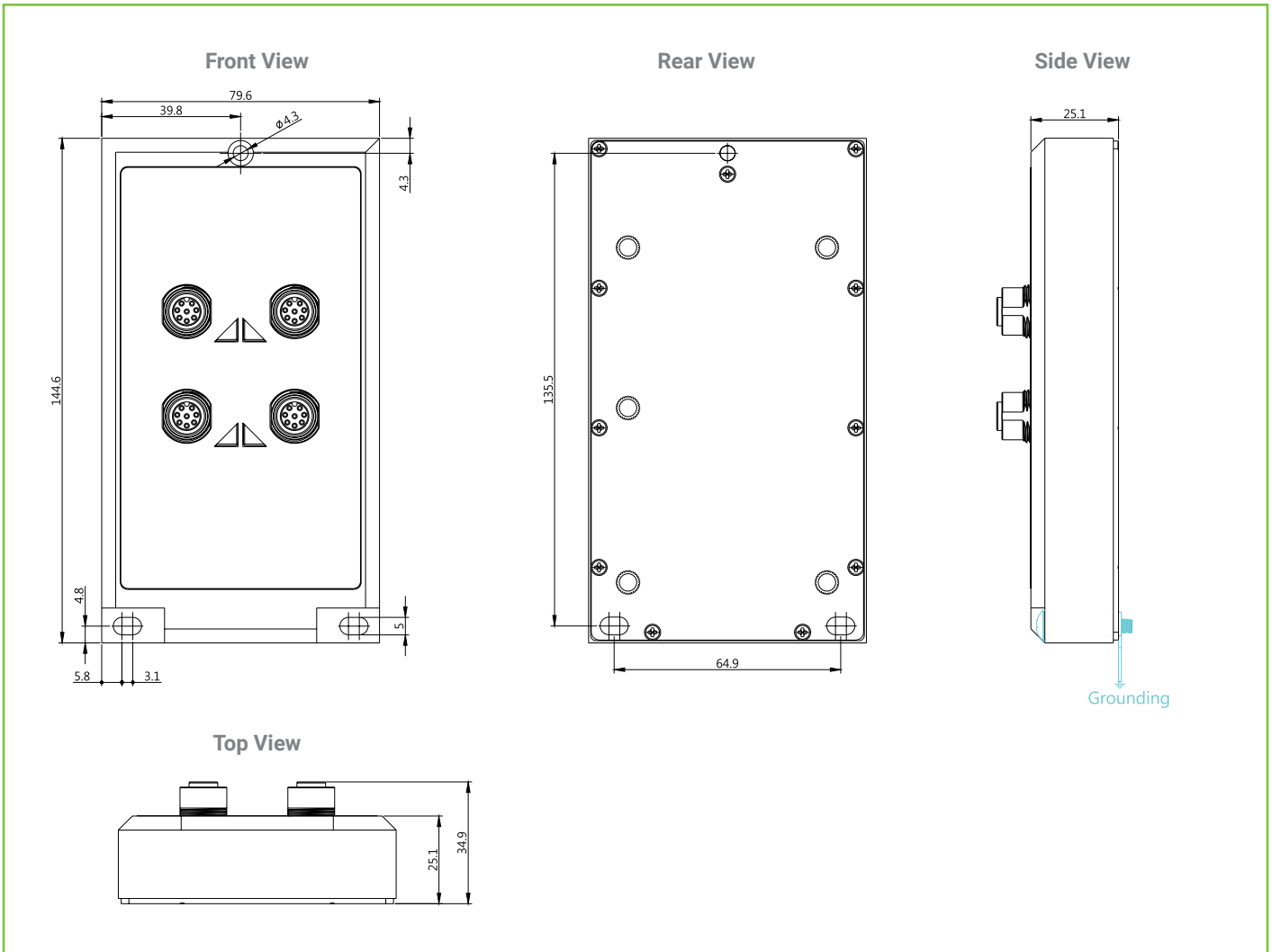
PRODUCT DESCRIPTION

SE8502-M12 is an Industrial 2-port IP68 Serial Server, offering waterproof, dustproof, and vibration-resistant.

There is a strong demand for reliable and rugged networking solutions, that can be used for the industrial workplace in harsh environmental conditions, such as high levels of moisture, dust, heat, electrical interference, and vibration. SE8502-M12 is a device that has IP68-rated housing and M12 metal connectors. It also provides a wide operating temperature range from -40°C ~ 75°C.

SE8502-M12 supports multiple link mode with TCP server/client, UDP and VirtualCOM, that can be configured by Windows-based utility. In addition, M12 connectors secure a firmly connecting, and prevent loose from vibrating condition, such as in moving vehicles.

DIMENSIONS & LAYOUT



SPECIFICATIONS

Technical Specifications	
Model Name	SE8502
Network Interface	
Compliance	IEEE802.3 10BASE-T / IEEE802.3u 100BASE-TX
Transmission Rate	10/100 Mbps
Connector Ports	4-Pin D-coded Female M12 x 1
Auto MDI/MDI-X	Yes
Serial Interface	
Mode	RS-232/422/485 Software selectable / RS-422/485 Software selectable (Sis models)
Baud Rate	110bps~921kbps (SE8502-M12 / SE8502-M12 (DIN-Rail)) 110bps~230kbps (SE8502-Sis-M12 / SE8502-M12-Sis (DIN-Rail))
Parity	None, Odd, Even, Mark, Space
Data bits	5, 6, 7, 8
Stop Bit	1,2
Flow Control	None, Xon/Xoff, RTS/CTS
Connector Ports	8-Pin A-Coded Female M12 x 2
Power	
Input Voltage	9-48 VDC
Input Current	0.40A max
Power Consumption	Approximately 3.6 W (Max)
Connector Ports	5-Pin A-coded Female M12 x 1
LED	
Indicator	COM, LAN, RUN
Software	
Protocols	IPv4, ICMP, TCP, UDP, DHCP Client, SNMP, HTTP, Telnet, RFC2217, NTP, DNS, SMTP
Configuration	Atop Management Utility, Web UI, Telnet
VirtualCOM	Windows/ Linux redirection software

Physical Characteristics	
Housing	IP68 Rigid aluminum housing
Dimension (W x H x D)	135.5 x 64.9 x 25.1 mm
Weight	700g
Installation	Wall mount
Environment	
Operating Temperature	-40°C to 75°C(-40°F to 167°F)
Storage Temperature	-40°C to 85°C(-40°F to 185°F)
Ambient Relative Humidity	5% to 95% (Non-condensing)

REGULATORY APPROVALS

Regulatory Approvals				
EMC	FCC Part 15, Subpart B, Class A EN 55032, EN 55024, EN 61000-3-2, EN 61000-3-3, EN 61000-6-2, EN 61000-6-4			
Rail Traffic	EN50155, EN50121-3-2, EN50121-4			
Test		Item	Value	Level
IEC 61000-4-2	ESD	Contact Discharge	±6KV	3
		Air Discharge	±8KV	3
IEC 61000-4-3	RS	Radiated (enclosure)	10V/m	3
IEC 61000-4-4	EFT	AC Power port	±2KV	3
		DC Power Port	±2KV	3
		Signal Port	±1KV	3
IEC 61000-4-5	Surge	AC Power Port	Line to Line ±1KV	3
		AC Power Port	Line to ground ±2KV	3
		DC Power Port	Line to Line ±1KV	3
		DC Power Port	Line to ground ±2KV	3
		Signal Port	Line to ground ±2KV	3
IEC 61000-4-6	CS	Conducted (enclosure)	10V	3
IEC 61000-4-8	PFMF	Enclosure	10A/m	4
IEC 61000-4-11	DIP	Power Port	30% Reduction (Voltage Dips), 25/30 Cycle 60% Reduction (Voltage Dips) : 10/12 Cycle 100% Reduction (Voltage Dips) : 1 Cycle 100% Reduction (Voltage Interruption): 250/300 Cycle	N/A

Protection	IP68 @ 1 hour (IEC/EN60529) under operating mode
Shock Drop Vibration	IEC 60068-2-27 IEC 60068-2-32(ISTA Test Procedure 2A) IEC 60068-2-64
MTBF	264711 hrs (30.21Years) (Data base: MIL-HDBK-217F, GB 25°C)
RoHS II	Yes
Warranty	5 years

ORDERING INFORMATION

Ordering information		
Model name	Part Number	Description
SE8502-M12 IP68	1P1SE8502M1216G	RS232/422/485, IP68 Serial Server
SE8502-Sis-M12 IP68	1P1SE8502M1218G	RS232/422/485, IP68,ISO Serial Server
Optional Accessories		
Model name	Part Number	Description
SDR-75-24	50500752240001G	75W/3.2A DIN-Rail 24VDC power supply 88-264VAC / 124-370VDC input